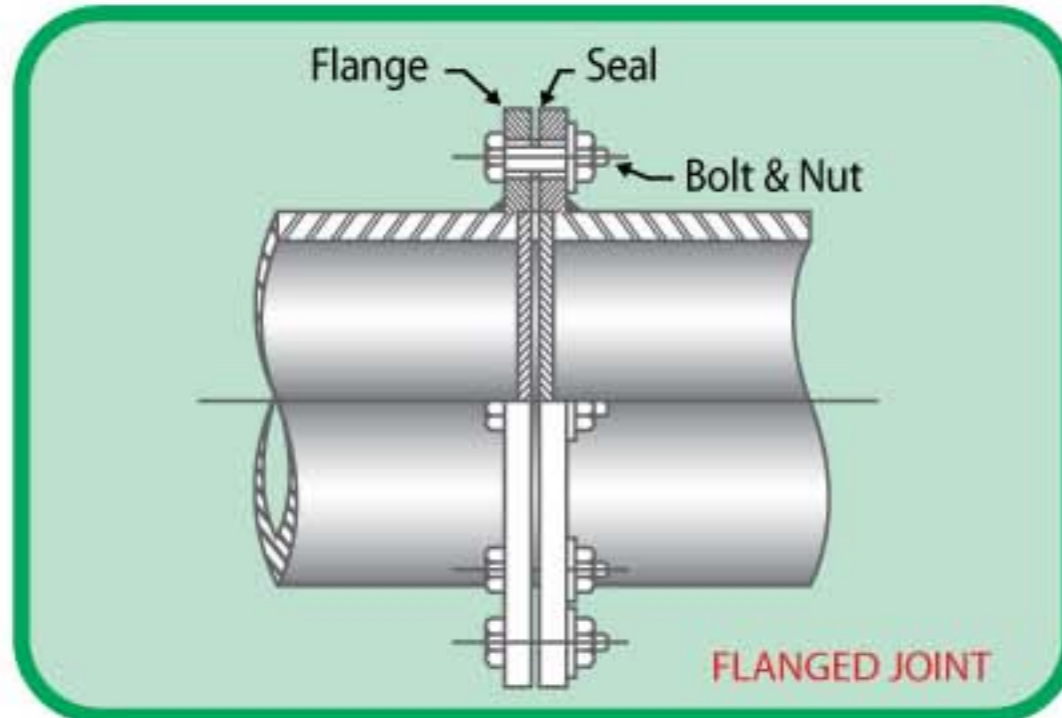
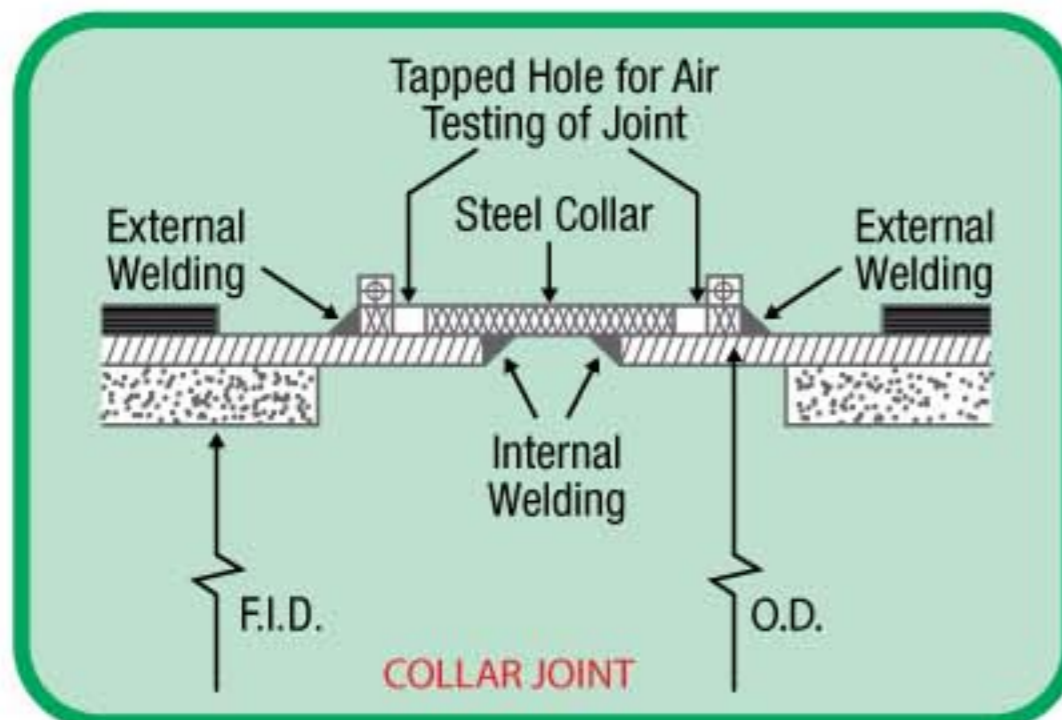


JOINT DETAILS



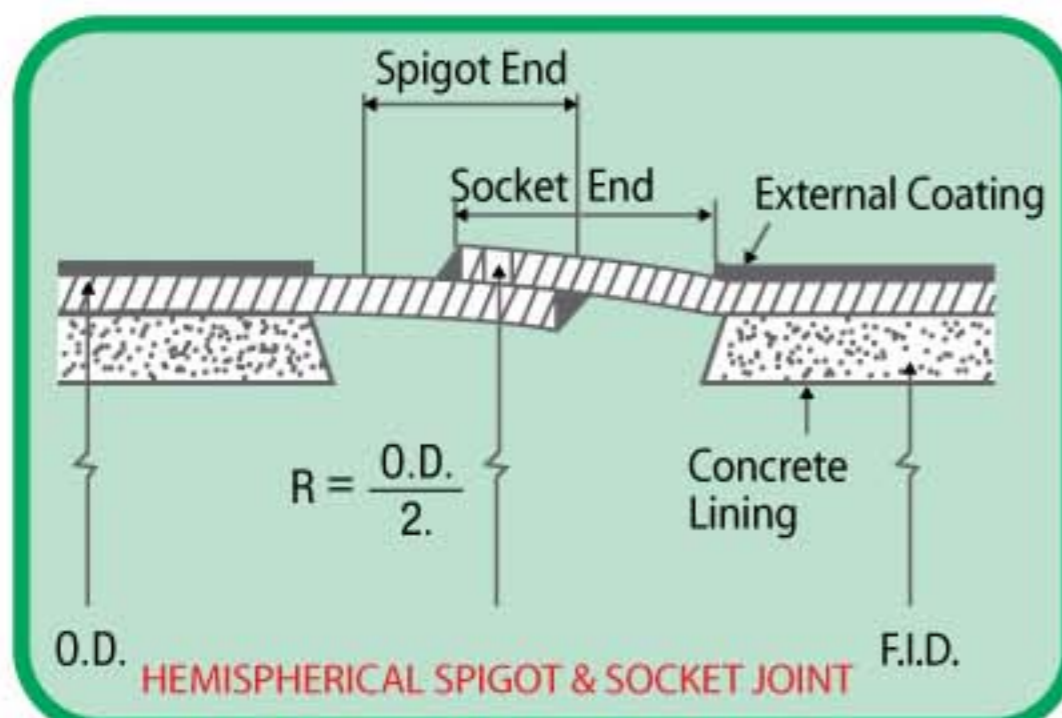
FLANGED JOINT

The dimension conforms with BS 4504. This type of joint is suitable for permanent or temporary installation.



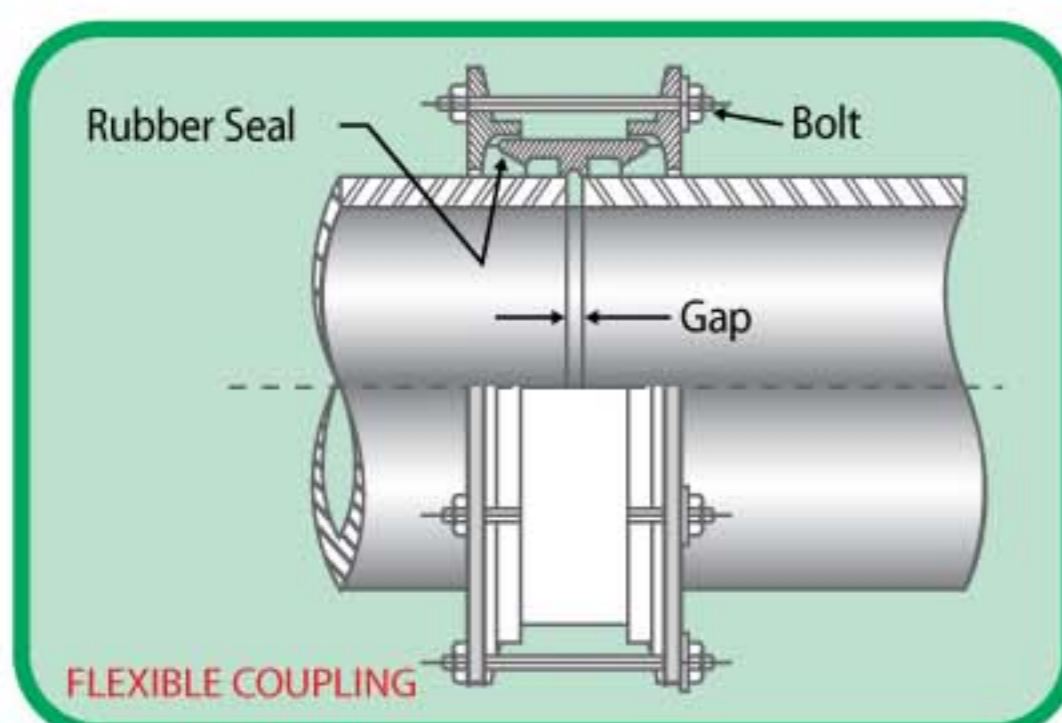
COLLAR JOINT

This type of joint is for permanent installation of plain ended pipe/fittings, with or without internal welding (depending on pipe size).



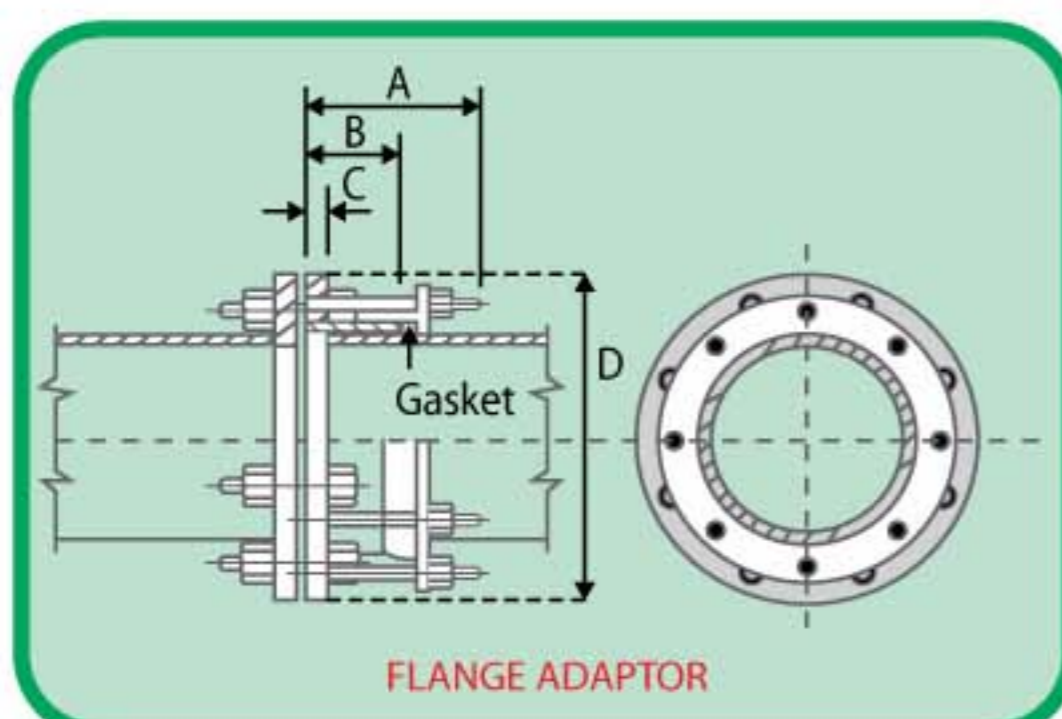
HEMISPHERICAL SPIGOT & SOCKET JOINT

This is the most popular and economical joint for long distance pipeline installation. It is also designed to take an angular deflection of up to 2° from axial to accommodate changes of pipe gradients.



FLEXIBLE COUPLING

This coupling is suitable for difficult terrain and when future dismantling is required. It is also capable of accommodating 3° to 6° deflection.



FLANGE ADAPTOR

Most suitable for joining a plain ended pipe to a flanged pipe/fitting special such as valve, pump etc for easy dismantling for repairs and maintenance.